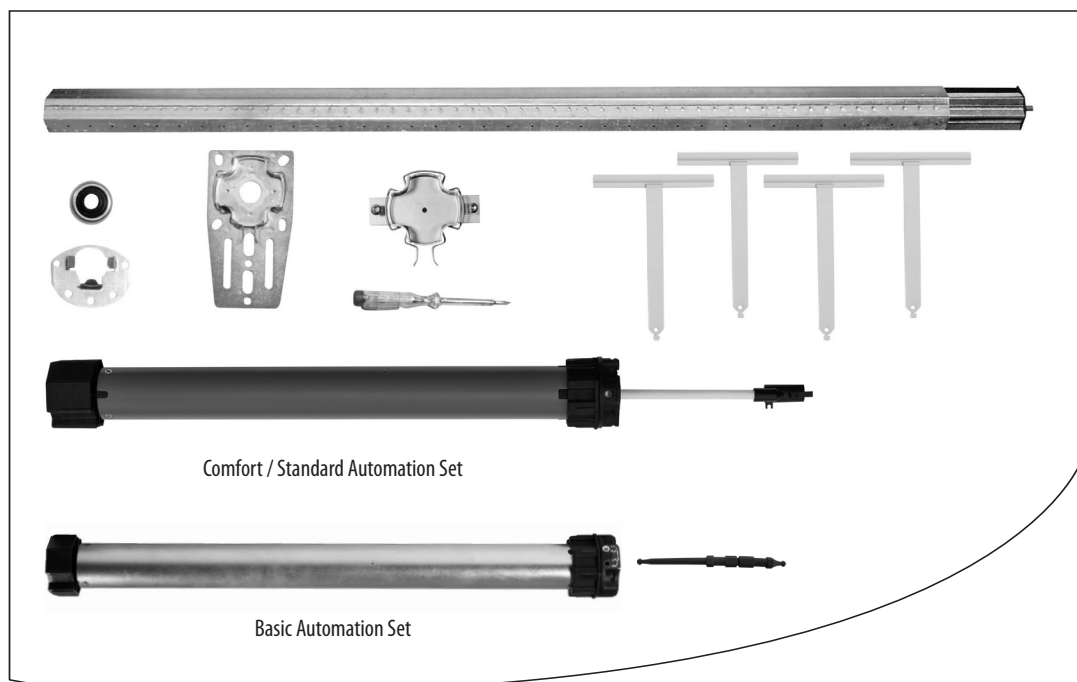


EN Installation Instructions for the RolloTube Automation Set


Automation Set	Comfort 2360 20 80	Standard 2660 20 00	Basic 2160 20 90
Included in delivery:			
Tubular motor (type):	S-line DuoFern Medium	M-line Medium	Basic Medium
Nominal torque:	20 Nm / 16 rpm	20 Nm / 16 rpm	20 Nm / 16 rpm
Plug-in cable:	yes	yes	no
Adapter + catch:	1	1	1
Installation instructions:	1	1	1
Adjustment tool:	-	-	1
Click drive bearing:	1	1	1
Clamp bearing:	1	1	1
Octagonal winding shaft (60 mm x 0.6):	1	1	1
Telescopic extension, incl. roller capsule:	1	1	1
Ties:	4	4	4
Counter bearing, incl. ball bearing:	1	1	1
Installation material (in the accessory pack):	1	1	1
Application/window width:	Up to 185 cm	Up to 185 cm	Up to 185 cm



These instructions...

...give you a brief description of the installation of the RolloTube Automation Set.



These instructions do not replace the enclosed manual for the tubular motor.

Before you begin, please read these instructions through completely and follow all the safety instructions.

Damage resulting from non-compliance with these instructions and the safety instructions will void the warranty. We assume no liability for any consequential damage.



There is a risk of fatal injury from electric shock when working on all electrical systems.

◆ The electrical connection for the tubular motor and all work on the electrical systems may only be undertaken by an authorised electrician in accordance with the connection diagrams in the original manual for the enclosed tubular motor.

◆ Carry out all installation and connection work only when the product is disconnected from the mains power.



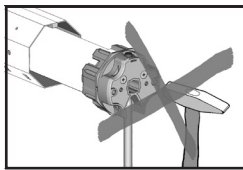
There is a risk of fatal injury in the event of failure to observe these instructions!

Observe the regulations for installing products in damp rooms.

◆ Observe DIN VDE 0100, parts 701 and 702 in particular when installing the product in damp rooms. These regulations contain mandatory protective measures.



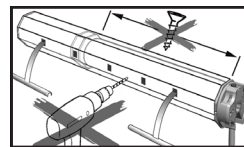
Installation



⚠ ATTENTION!

Never knock the motor (8) into the winding shaft (5.2) with force.

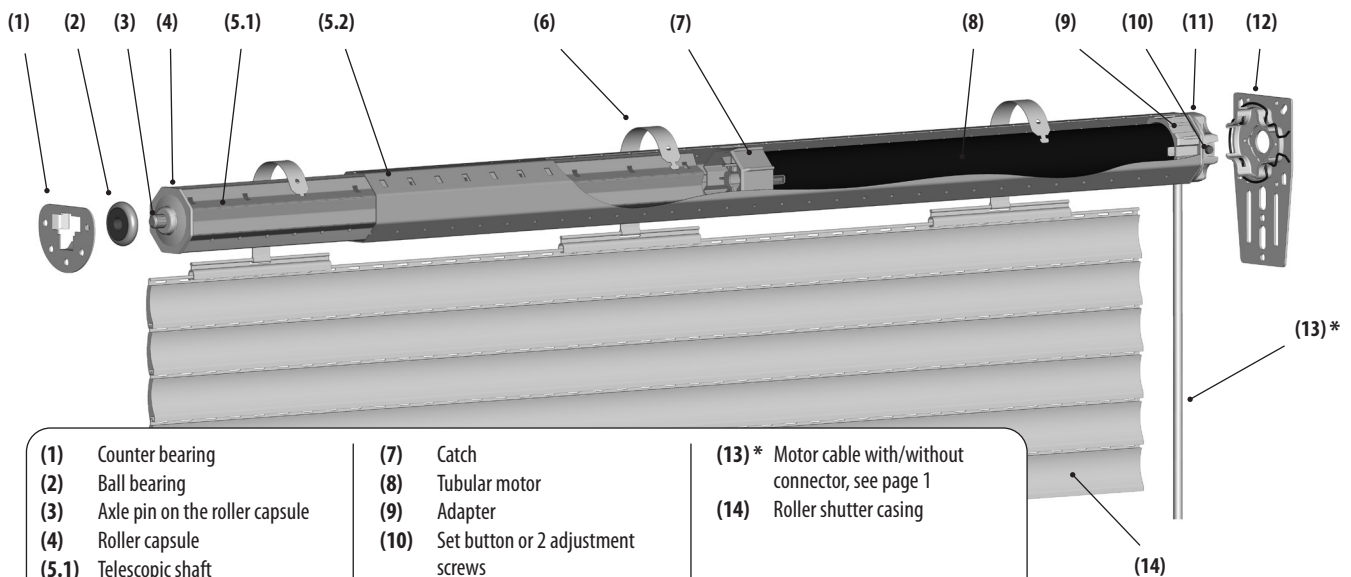
Doing so will cause serious damage.



⚠ ATTENTION!

Never drill in the area of the drive or insert screws in order to secure the roller shutter.

1



- (1) Counter bearing
- (2) Ball bearing
- (3) Axle pin on the roller capsule
- (4) Roller capsule
- (5.1) Telescopic shaft
- (5.2) Winding shaft
- (6) Ties or rigid shaft connectors

- (7) Catch
- (8) Tubular motor
- (9) Adapter
- (10) Set button or 2 adjustment screws
- (11) Drive head
- (12) Click drive bearing

- (13)* Motor cable with/without connector, see page 1
- (14) Roller shutter casing

1. Removing the old roller shutter mechanism

- ◆ Open the roller shutter box.
- ◆ Close the roller shutter completely and release the roller shutter casing from the winding shaft.
- ◆ Then remove the existing belt winder and winding belt and close the belt inlet opening in the roller shutter box.

- ◆ Remove the winding shaft and all bearings.



Mark the position of the centre of the old bearings so that you can install the new bearings and the winding shaft horizontally in the same position.

⚠ CAUTION!

There is a risk of injury from the pre-tensioned spring in the old belt winder.

Hold the spring unit firmly when loosening the belt and allow it to recoil slowly until the spring unit has completely unwound.



2. Conditions of use and installation preparations

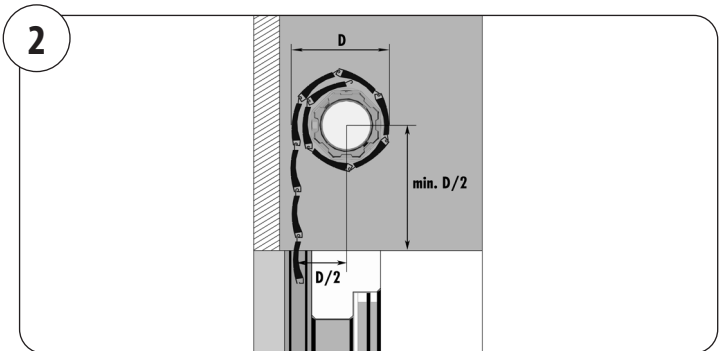
- ◆ A continuous 230 V /50 Hz mains connection (L/N/PE) must be available at the site of operation for the electrical connection of the tubular motor in combination with on-site switchgear (fusing).



Please observe the installation and connection diagrams in the enclosed operating manual for the tubular motor.

3. Installing the bearings

- ◆ Install the new bearings in accordance with the previous position marks of the old bearings. Make sure that the winding shaft can be installed horizontally and that the first slat of the wound roller shutter casing is perpendicular to the guide rail of the window.
- ◆ Fasten the bearings in accordance with the bearing type and on-site conditions.



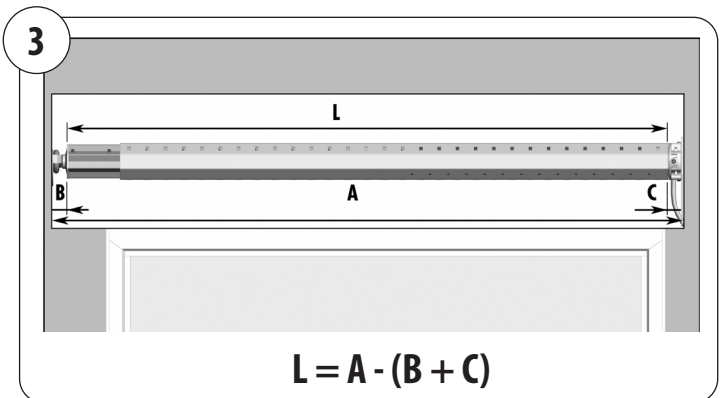
4. Determining the length of the winding shaft

- ◆ Length of the winding shaft: $L = A - (B + C)$
- ◆ Installation up to a window width of 185 cm using the telescopic shaft (5.1)

For installing window widths ranging from 105 cm to 185 cm, you can pull the telescopic shaft (5.1) out of the octagonal winding shaft up to the required length.(5.2).

If the window is narrower than the winding shaft (5.2), you will need to shorten it to the required size. Cut both winding shafts to size with a hacksaw at a right-angle. Remove the burrs from the edges of the winding shafts internally and externally with a file.

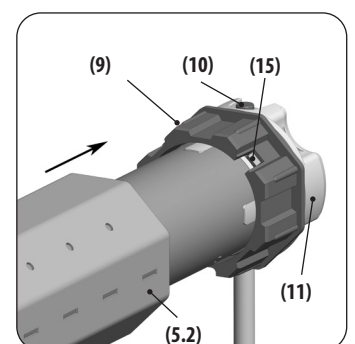
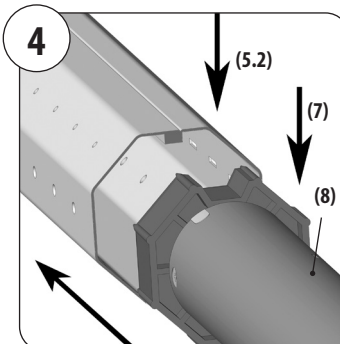
Always observe a minimum insertion depth of 200 mm for the telescopic shaft (5.1).



5. Sliding the tubular motor into the winding shaft

⚠ ATTENTION!

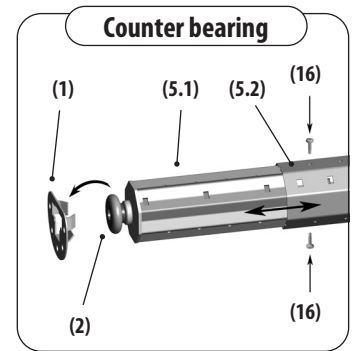
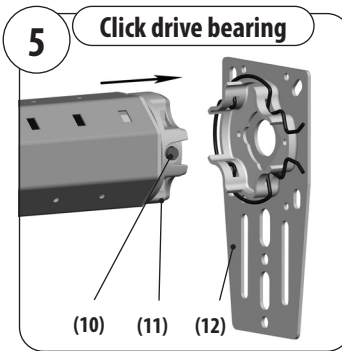
Ensure that the adapter (9) does not slip off the adapter ring (15) on the drive head (11) during the installation process, otherwise malfunctions may occur.





6. Installing the tubular motor in the bearings (12) / (1)

- ◆ **Click drive bearing**
Press the drive head (11) into the click drive bearing (12).
The set button (10) must be easily accessible. This also applies to the adjustment screws for setting the end points on mechanical tubular motors.
- ◆ **Counter bearing**
Press the counter bearing (1) onto the other side of the telescopic shaft (5.1) with the fitted ball bearing (2) from above.
- ◆ Finally, fix both winding shafts (5.1 and 5.2) with the enclosed flat-head screws (16).

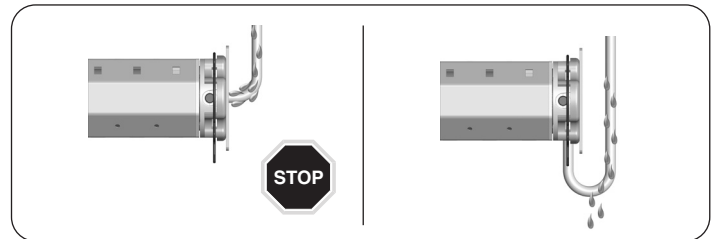


⚠ WARNING!



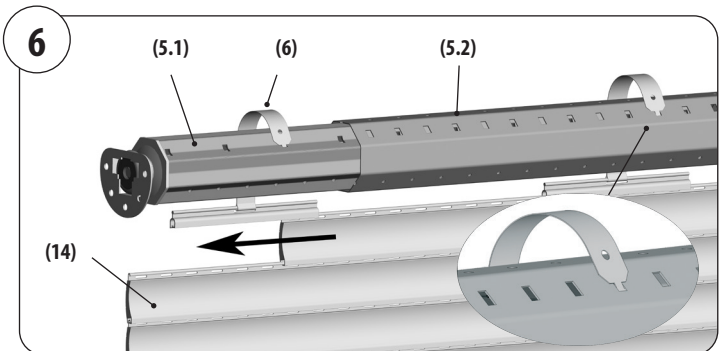
Risk of short-circuit resulting from water in the event of improper cabling.

- ◆ Never lay the motor cable (13) vertically upwards otherwise water may collect on the cable and run into the motor, leading to damage.
- ◆ Lay the cable in a loop. The loop will cause any water on the cable to collect at the lowest point, from where it can drain off.



7. Mounting the roller shutter casing

- ◆ Slide the ties or the rigid shaft connectors (6) onto the upper-most slat of the roller shutter casing (14).
- ◆ Place a tie or rigid shaft connector (6) every 40 cm into the rectangular holes of the winding shaft (5.2) and the telescopic shaft (5.1).



8. Electrical commissioning/settings



Follow the information in the enclosed operating manual for the tubular motor.



Warranty terms and conditions

Information about the warranty conditions of our products can be found on our homepage.

Simplified EU declaration of conformity



RADEMACHER Geräte-Elektronik GmbH hereby declares that the radio tubular motors in the RolloTube S-line DuoFern series comply with the Directives 2006/42/EC (Machinery Directive) and 2014/53/EU (Radio Equipment Directive).



RADEMACHER Geräte-Elektronik GmbH hereby declares that the tubular motors in the RolloTube M-line / RolloTube Basic series comply with the Directives 2006/42/EC (Machinery Directive) and 2014/30/EU (EMC Directive).

The full text of the EU declaration of conformity is included with the product and is kept on file by the manufacturer.



Please observe the information in the enclosed operating manual for the respective tubular motor.

RADEMACHER
Geräte-Elektronik GmbH
Buschkamp 7
46414 Rhede (Germany)